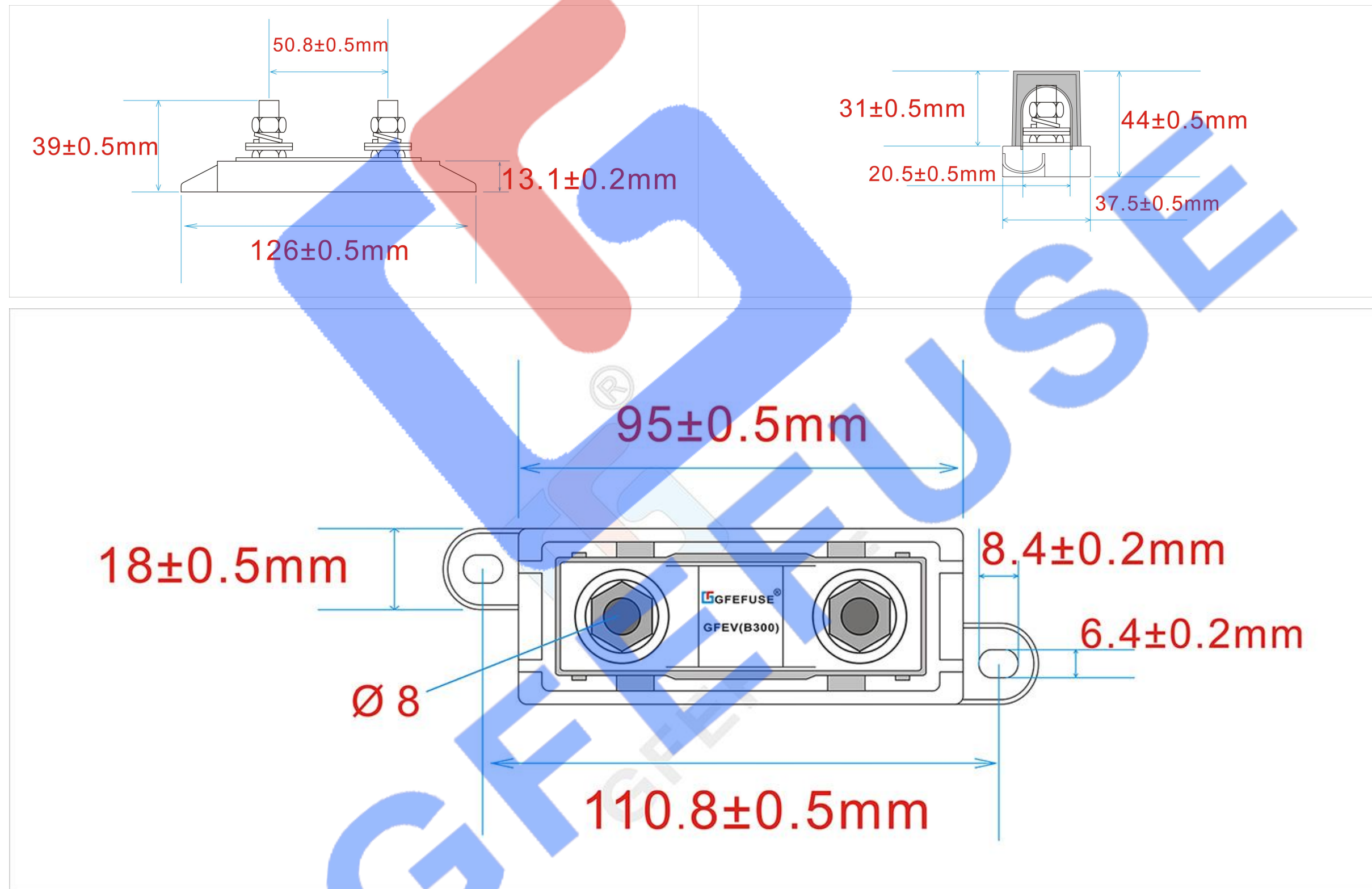


( GFEV(B300) Fork Bolt Automotive Fuse Seat (Medium Bolt (Fork Bolt) Automotive Fuse Box))

1. GFEV(B300 ) Product Dimension Diagram



( **GFEV ( B300 ) Fork Bolt Automotive Fuse Seat (Medium Bolt (Fork Bolt) Automotive Fuse Box)** )

**2. Product introduction**

- 1. Product model; GFEV ( B300 ) fork bolt automobile fuse seat
- 2. Base: PBT + GF15% V0
- 3. Top cover: PC V0
- 4. Fasteners: 8.8 grade high strength screw, stainless steel nut
- 5. Electrical Performance
  - 1.Voltage: 12V-1500V (DC)
  - 2.Current: 30A-400A (DC)
- 6.Applicability: GFEFUSE® Brand (**ANL-B™** Series Medium-sized Fork-bolt Automobile Fuse)
- 7.This product uses automobile wiring harness, new energy vehicle control box, DC power supply equipment, power supply, power supply, communication equipment, battery protection circuit, etc.

**Tips:Dimension changes are not notified**