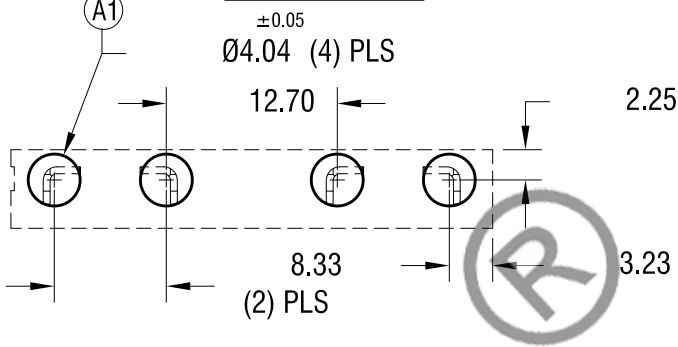
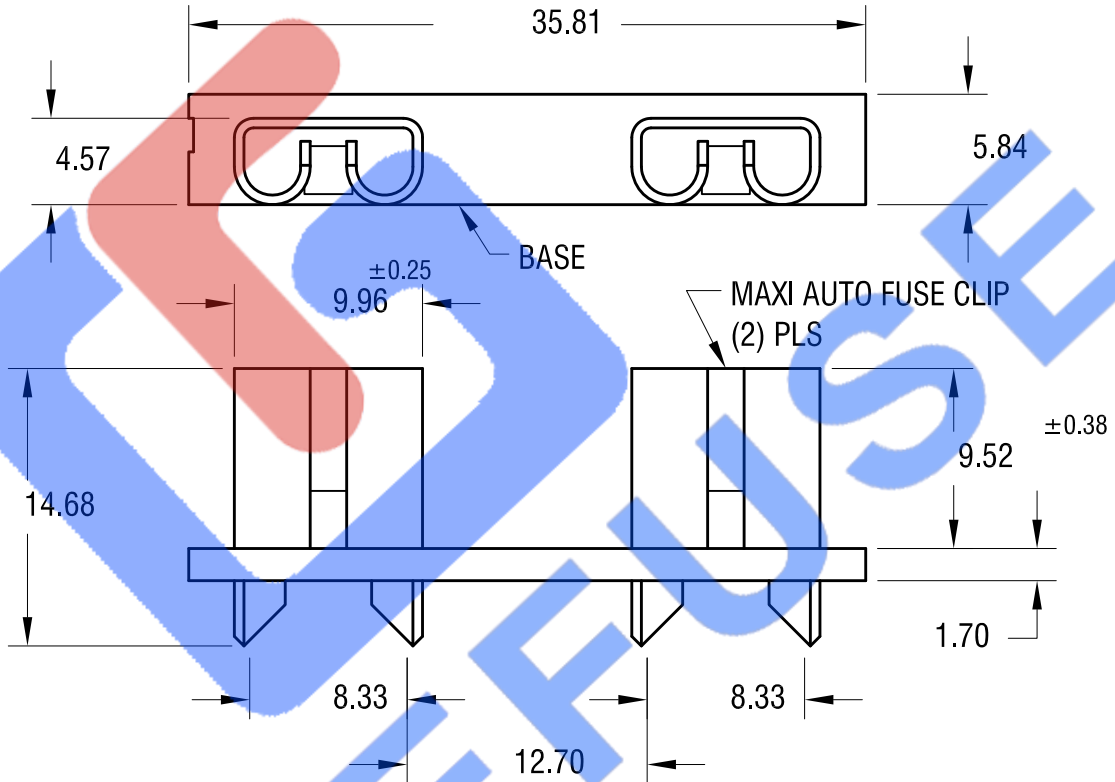
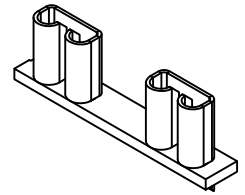


MOUNTING DETAIL



ACTUAL SIZE



NOTE:

1. CLIP: 0.50 TH'K COPPER, TIN NICKEL PLATE
2. BASE: MAT'L: GLASS FILLED NYLON, UL 94V-0

Dongguan Gongfu Electronics Co., Ltd			
PART NAME		MAXI blade fuse holder	
MATERIAL		AS NOTED	
FINISH		DRN BY	DATE
AS NOTED		APP'D	2025.12.02
TOLERANCES		INCH	[MM]
DECIMAL		± .005	[± 0.13]
ANGULAR		± 1°	
UNLESS OTHERWISE SPECIFIED		CODE	DWG NO.
		C	GF/700